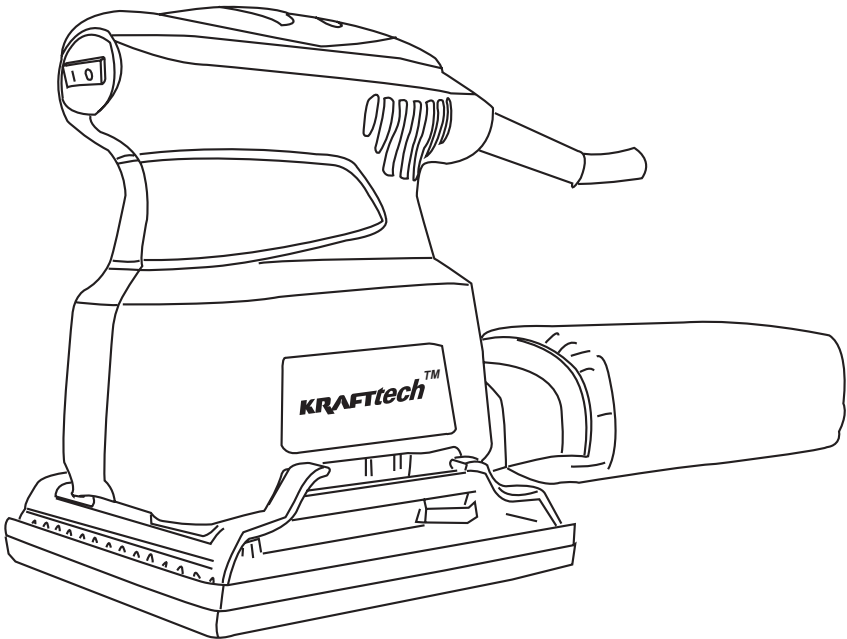




OWNER'S MANUAL

Model Number: PS160CA-3

1/4 Sheet Palm Sander



Registration Card Inside

▲ CAUTION!

To reduce the risk of fire, electric shock and personal injury, read and understand the owner's manual before operating this product. Save this manual.

TABLE OF CONTENTS

SECTION	PAGE
Warranty	2
Introduction	2
General safety rules for all power tools	3
Specific safety rules for palm sander	5
Technical specifications	6
Functional description	6
Assembly	7
Operation instructions	8
Maintenance	10
Accessories	10

WARRANTY

FULL 2 YEAR WARRANTY ON THIS **KRAFTtech™** 1/4 SHEET PALM SANDER.

TOLL FREE NUMBER: 1-866-513-6723

If this **KRAFTtech™** Power Tool is found to be defective in materials or workmanship within 2 years from the date of purchase, the manufacturer will replace the product free of charge. Warranty replacement service is available by returning tool with the original sales receipt showing date of purchase. Call our toll free number or visit www.krafttechpowertools.com for more information.

This warranty does not include damages or defects caused by or resulting from abuse, accidents, alterations or commercial use. This **KRAFTtech™** product is warranted for home domestic use only. This warranty does give you specific legal rights and you may also have other rights which may vary from state to state.

For Repair/Replacement Parts call our toll free number.

INTRODUCTION

This Palm Sander is designed to give an exceptional finish on wood surfaces and speed stock removal. It will also remove lacquer, varnish, and other coated finishes. It can sand flush against all three sides of the tool and fit into tight places.

It has many features that will make your job faster, easier and more convenient. Safety, performance and dependability have been given top priority in the design of this tool, as well as making it easy to maintain and operate.

▲ WARNING *Carefully read through the entire manual before attempting to use this tool. Be sure to pay special attention to the safety rules and all the Warnings and Cautions throughout this manual.*

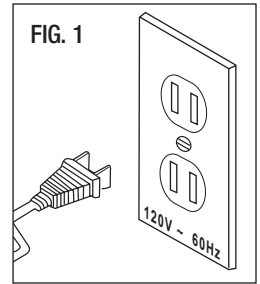
▲ WARNING *Read and understand all instructions. Failure to follow all instructions listed below may result in electric shock, fire and/or serious personal injury.*

SAVE THESE INSTRUCTIONS

GENERAL SAFETY RULES

ELECTRICAL SAFETY

Double insulated tools are equipped with a polarized plug (one blade is wider than the other.) This plug will fit in a polarized outlet only one way. If the plug does not fit fully in the outlet, reverse the plug. If it still does not fit, contact a qualified electrician to install a polarized outlet. Do not change the plug in any way. Double insulation eliminates the need for the three-wire, grounded power cord and grounded power supply system. See FIG. 1.



FOR SAFE OPERATION

Consider the work area environment. Keep your area clean and well lit. Cluttered benches and dark areas invite accidents. Do not expose power tools to rain. Do not use power tools in damp or wet locations. Do not use power tools where there is risk of fire or explosion.

Guard against electric shock. Avoid contact with grounded surfaces, such as pipes, radiators, ranges, and refrigerators.

Keep children away. Do not let visitors touch the tool or extension cord. All visitors should be kept away from work area.

Store idle tools. When not in use, tools should be stored in a high or locked up place that is dry and out of the reach of children.

Do not force the tool. It will do the job better and safer if used in a manner for which it was intended.

Use the right tool. Do not force small tools or attachments to do the job of a heavy duty tool. Do not use tools for purposes not intended; for example, do not use circular saws to cut tree limbs or logs.

Dress properly. Do not wear loose clothing or jewelry as they can be caught in moving parts. Rubber gloves and nonskid footwear are recommended when working outdoors. Wear a hair net to contain long hair.

Use safety glasses. Also use a face or dust mask if the cutting operation is dusty.

Connect dust extraction equipment. If devices are provided for the connection of dust extraction and collection, take measures to ensure these are connected and properly used.

Do not abuse the cord. Never carry the tool by the cord or yank the cord to disconnect it from the socket. Keep the cord away from heat, oil and sharp edges.

Secure your work. Use clamps or a vice to hold the work. It is safer than using your hand and it frees both hands to operate the tool.

Do not overreach. Keep proper footing and balance at all times.

GENERAL SAFETY RULES

Maintain tool with care. Keep cutting tools sharp and clean for better and safer performance. Follow instructions for lubrication and changing accessories. Inspect tool cord periodically, and, if damaged, have it repaired by an authorized service facility. Inspect extension cords periodically, and replace if damaged. Keep handles dry, clean and free from oil and grease.

Disconnect tools. Always unplug the tool when it is not in use, before servicing, and when changing accessories, such as blades, bits and cutters.

Remove adjusting keys and wrenches. Form the habit of checking to see that keys and adjusting wrenches are removed from the tool before turning it on.

Avoid unintentional starting. Do not carry a plugged-in tool with a finger on the switch. Make sure the switch is off when plugging tool in.

Use outdoor extension cords. When tool is used outdoors, use only extension cords intended for outdoor use.

Stay alert. Watch what you are doing. Use common sense. Do not operate the tool when you are tired.

Replace damaged cords immediately. Use of damaged cords can cause shock, burns or electrocution.

Check damaged parts. Before further use of the tool, a guard or any other part of the tool that is damaged should be carefully checked to determine that it will operate properly and perform its intended function. Check for alignment of moving parts, free running of moving parts, breakage of parts, mounting and any other conditions that may affect its operation. A guard or other part that is damaged should be properly repaired or replaced by an authorized service center unless otherwise indicated in this instruction manual. Have defective switches replaced by an authorized service facility. Do not use the tool if the switch does not turn it on and off.

⚠ WARNING *The use of any accessory or attachment, other than those recommended in this instruction manual, may present a risk of personal injury.*

Have your tool repaired by a qualified person. This electric tool has been designed in accordance with the relevant safety standards. Repairs should only be carried out by a qualified person using original replacement parts. Failure to do so not only will void the warranty, but could result in injury to the user or other participants in the work area.

SPECIFIC SAFETY RULES

Always wear safety goggles and a dust mask when sanding, especially when sanding overhead.

A suitable breathing respirator must be worn while sanding chemically pressure-treated surfaces.

This KRAFTtech sander is not suitable for wet sanding. Using this tool for this purpose could cause electric shock.

Do not use sandpaper that is larger than needed. Extra paper that extends beyond the sanding pad can cause serious lacerations.

This KRAFTtech sander is equipped with a dust extraction port. Dust from the sanding operation can be removed by attaching either a shop vacuum hose or the dust collection bag included with the tool. When using the collection bag, be sure to empty it frequently. Never discard sanding dust in the area of or on an open flame, as these fine wood particles can be highly combustible.

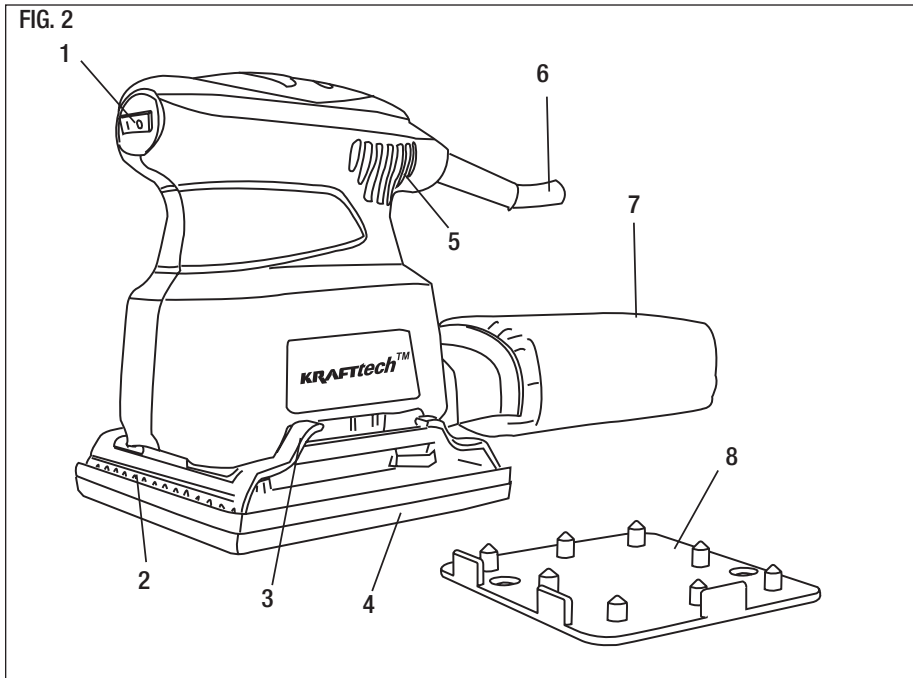
Use of damaged cords can shock, burn, or electrocute.

TECHNICAL SPECIFICATIONS

Model	PS160CA-3
Rated Voltage	120V~ 60Hz
Rated Power Input	1.5A
No Load Speed, n_0	13,000/min
Sandpaper	1/4 sheet
V: Volts	A: Amperes
~: Alternating Current	Hz: Hertz

FUNCTIONAL DESCRIPTION

1. Rocker "On/Off" Switch with Dust Guard
2. Sandpaper Clamp
3. Clamp Lever
4. Pad
5. Vents
6. Cord
7. Dust Collection Bag
8. Sandpaper Punch



ASSEMBLY

▲ WARNING Always disconnect the plug from the power source before attaching or removing sandpaper. The sandpaper must be drawn as tight as possible across the pad of the sander for efficient sanding, as a loose sandpaper can slip on the work surface.

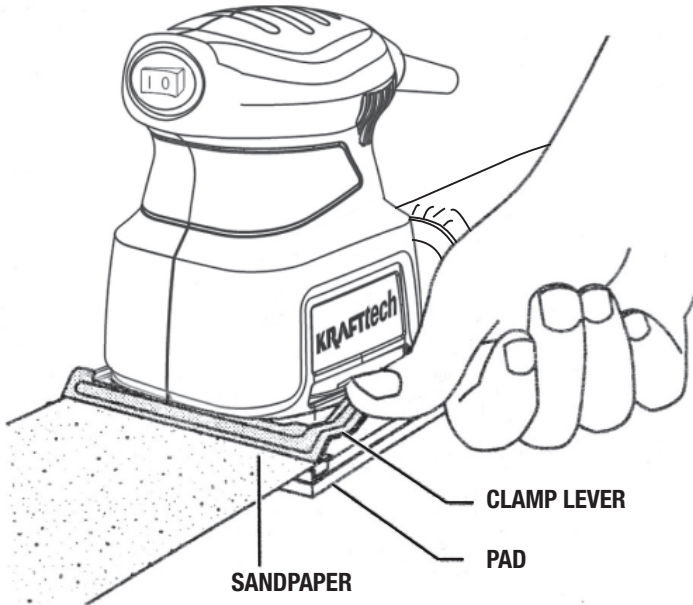
ATTACHING SANDPAPER

1. To open clamp, push down clamp lever as shown in (FIG. 3).
2. Place the sandpaper (grit side up) between the clamp and base plate while aligning edges of the sandpaper with either edge of the pad. (Pre-bending the sandpaper makes attachment easier.)

ASSEMBLY

3. After inserting the sandpaper, release pressure on clamp lever making sure that the clamp is gripping the sandpaper and the sandpaper is aligned with the pad.
4. Wrap the sandpaper around the bottom of the pad, and attach the free end of sandpaper under the opposite clamp, repeating procedures 1, 2 & 3, above.

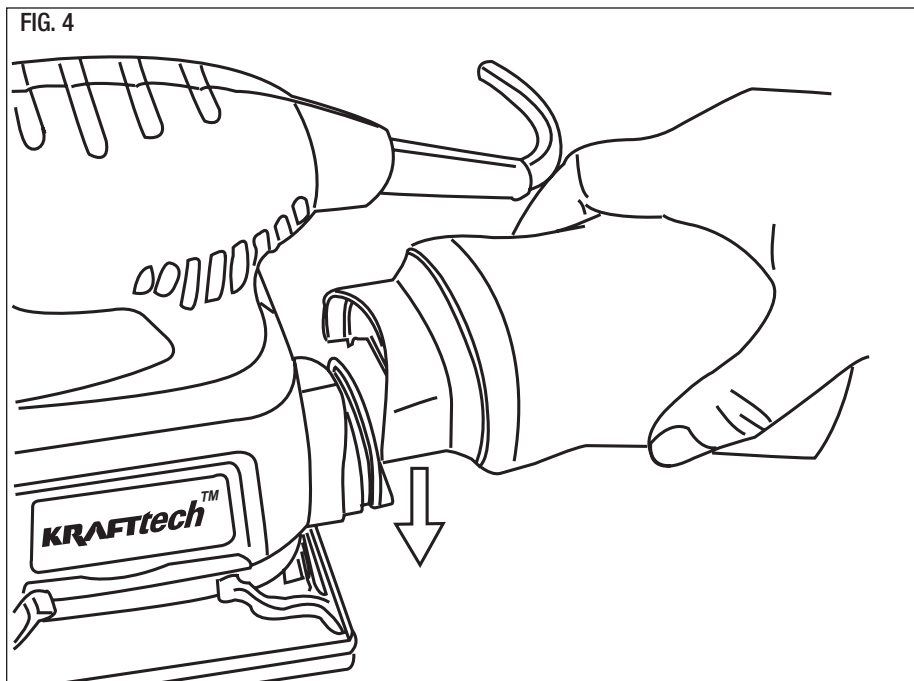
FIG. 3



ASSEMBLY

ATTACHING THE DUST BAG

Align the groove in the dust bag assembly with the groove in the vacuum port (see FIG. 4), and then press down on the dust bag assembly to lock it in place.



OPERATION INSTRUCTIONS

SANDPAPER

This 1/4 sheet sander is designed to be used with standard, commercially available sandpaper sheets. Cut the sheet crosswise into quarters for a precise fit.

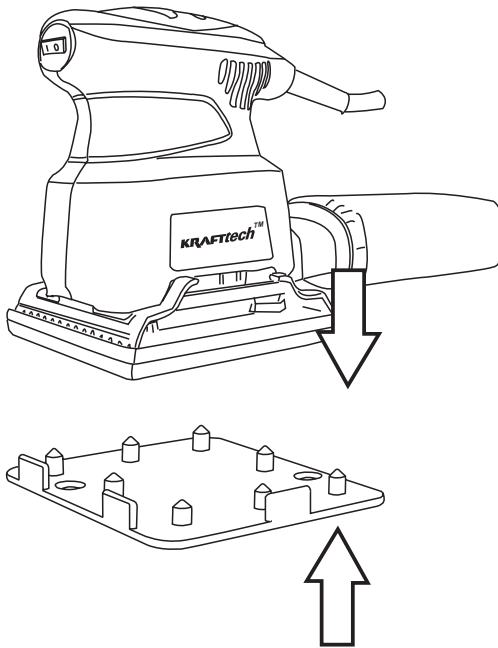
Aluminum oxide, silicon carbide, or other synthetic abrasives are recommended for power sanding use. For rough sanding, sandpaper with a coarse grit is best. For smoothing or final sanding, sandpaper with a fine or extra-fine grit should be used.

OPERATION INSTRUCTIONS

SANDPAPER PUNCH

To remove dust effectively from the work surface, the 1/4 sheet of sandpaper must have holes punched through the surface. A sandpaper punch is included with your **KRAFTtech™** sander. After attaching the sandpaper to the palm sander, align the sandpaper with the punch, and push down on the sandpaper until the punch has pierced the sandpaper. The sandpaper is now ready to use with the dust collection system on your sander. See FIG. 5.

FIG. 5



ROCKER “ON/OFF” SWITCH

To turn the tool “ON” or “OFF”, push in the switch rocker to the left or right side of the tool. Be sure sander is “ON” and at full speed before beginning sanding operation. Remove the tool from the work surface before turning “OFF”.

SANDING

Do not place excessive pressure on the sander. Excessive pressure on the sander may result in an uneven sanding job and can also cause overheating and possible damage to the motor.

Do not leave the tool sanding in one spot for an extended time, otherwise uneven sanding will result.

MAINTENANCE

▲ WARNING *A repair or replacement of this tool must be performed by a qualified service technician. For information call our toll free number at 1-866-513-6723.*

▲ WARNING *Always use only a soft, dry cloth to clean your sander, never use any detergent or alcohol.*

Disconnect the plug from the power source before cleaning.

▲ CAUTION *No chemical agents are approved for use in cleaning this power tool. Clean with a dry cloth or towel only.*

ACCESSORIES

Sandpaper	6pcs
Dust Bag	1pc
Sandpaper Punch	1pc

▲ WARNING *Some dust created by power sanding, sawing, grinding, drilling, and other construction activities contains chemicals known (to the State of California) to cause cancer, birth defects or other reproductive harm. Some examples of these chemicals are:*

-Lead from lead-based paints

-Crystalline silica from bricks and cement and other masonry products

-Arsenic and chromium from chemically treated lumber

Your risk from these exposures varies, depending on how often you do this type of work. To reduce your exposure to these chemicals: work in a well ventilated area, and work with approved safety equipment, such as those dust masks that are specially designed to filter out microscopic particles.

